

TROUBLESHOOTING

TROUBLESHOOTING

If your heater fails to operate:

- UNPLUG THE UNIT.
- Make sure the electrical outlet or circuit breaker is working.
- Check for obstructions. If you find an obstruction turn the heater OFF, and unplug the unit. Carefully remove the obstruction and follow the reset instructions.
- Make sure the button on the ALCI plug is in the RESET position.
- The temperature may be set too low. Adjust the thermostat until the heater restarts.

Please **DO NOT** attempt to open or repair the heater.

If you have any questions regarding your product or would like to learn more about other Sunbeam® products, please contact our Consumer Service Department at 1-888-264-9669 or visit our website at www.sunbeam.com.

© 2012 Sunbeam Products, Inc. doing business as Jarden Consumer Solutions. All Rights Reserved.
Distributed by Sunbeam Products, Inc. doing business as Jarden Consumer Solutions, Boca Raton, Florida 33431.

Printed In China

DIAGNÓSTICO DE PROBLEMAS

DIAGNÓSTICO DE PROBLEMAS

Si su calentador no funciona:

- DESENCHUFE LA UNIDAD.
- Asegúrese de que el tomacorriente o la llave térmica funcione correctamente.
- Verifique que no haya ninguna obstrucción. Si encuentra una obstrucción, apague el calentador, y DESENCHUFELO. Quite cuidadosamente la obstrucción y siga el procedimiento para volver a funcionar la unidad.
- Verifique que el interruptor en el enchufe ALCI esté en la posición RESET (reinicializar).
- El termostato puede estar ajustado demasiado bajo. aumente la temperatura hasta que la unidad arranque.

NO INTENTE ABRIR ni reparar el calentador.

Si tiene preguntas relacionadas con este producto o si está interesado en conocer otros productos Sunbeam®, póngase en contacto con nuestro Departamento de Servicio al Cliente: llame al 1 (888) 264-9669 o visite nuestro sitio web www.sunbeam.com.

© 2012 Sunbeam Products, Inc. operando bajo el nombre de Jarden Consumer Solutions. Todos los derechos reservados. Distribuido por Sunbeam Products, Inc. operando bajo el nombre de Jarden Consumer Solutions, Boca Raton, Florida 33431.

157094/9100020013582
GCDS-SUN23853-PH

SFH442_12ESM1

Impreso en China

WARRANTY INFORMATION

1 YEAR LIMITED WARRANTY

Sunbeam Products, Inc. doing business as Jarden Consumer Solutions or if in Canada, Sunbeam Corporation (Canada) Limited doing business as Jarden Consumer Solutions (collectively "JCS") warrants that for a period of one year from the date of purchase, this product will be free from defects in material and workmanship. JCS, at its option, will repair or replace this product or any component of the product found to be defective during the warranty period. Replacement will be made with a new or remanufactured product or component. If the product is no longer available, replacement may be made with a similar product of equal or greater value. This is your exclusive warranty. Do NOT attempt to repair or adjust any electrical or mechanical functions on this product. Doing so will void this warranty.

This warranty is valid for the original retail purchaser from the date of initial retail purchase and is not transferable. Keep the original sales receipt. Proof of purchase is required to obtain warranty performance. JCS dealers, service centers, or retail stores selling JCS products do not have the right to alter, modify or any way change the terms and conditions of this warranty.

This warranty does not cover normal wear of parts or damage resulting from any of the following: negligent use or misuse of the product, use on improper voltage or current, use contrary to the operating instructions, disassembly, repair or alteration by anyone other than JCS or an authorized JCS service center. Further, the warranty does not cover: Acts of God, such as fire, flood, hurricanes and tornadoes.

What are the limits on JCS's Liability?

JCS shall not be liable for any incidental or consequential damages caused by the breach of any express, implied or statutory warranty or condition.

Except to the extent prohibited by applicable law, any implied warranty or condition of merchantability or fitness for a particular purpose is limited in duration to the duration of the above warranty.

JCS disclaims all other warranties, conditions or representations, express, implied, statutory or otherwise.

JCS shall not be liable for any damages of any kind resulting from the purchase, use or misuse of, or inability to use the product including incidental, special, consequential or similar damages or loss of profits, or for any breach of contract, fundamental or otherwise, or for any claim brought against purchaser by any other party.

Some provinces, states or jurisdictions do not allow the exclusion or limitation of incidental or consequential damages or limitations on how long an implied warranty lasts, so the above limitations or exclusion may not apply to you.

This warranty gives you specific legal rights, and you may also have other rights that vary from province to province, state to state or jurisdiction to jurisdiction.

How to Obtain Warranty Service

In the U.S.A.

If you have any question regarding this warranty or would like to obtain warranty service, please call 1-888-264-9669 and a convenient service center address will be provided to you.

In Canada

If you have any question regarding this warranty or would like to obtain warranty service, please call 1-888-264-9669 and a convenient service center address will be provided to you.

In the U.S.A., this warranty is offered by Sunbeam Products, Inc. doing business as Jarden Consumer Solutions located in Boca Raton, Florida 33431. In Canada, this warranty is offered by Sunbeam Corporation (Canada) Limited doing business as Jarden Consumer Solutions, located at 20 B Hereford Street, Brampton, Ontario L6Y 0M1. If you have any other problem or claim in connection with this product, please write our Consumer Service Department. **PLEASE DO NOT RETURN THIS PRODUCT TO ANY OF THESE ADDRESSES OR TO THE PLACE OF PURCHASE.**

INFORMACION DE LA GARANTIA

GARANTÍA LIMITADA DE 1 AÑO

Sunbeam Products, Inc. operando bajo el nombre de Jarden Consumer Solutions, o en Canadá, Sunbeam Corporation (Canada) Limited operando bajo el nombre de Jarden Consumer Solutions, (en forma conjunta, "JCS"), garantiza que por un periodo de uno año a partir de la fecha de compra, este producto estará libre de defectos de materiales y mano de obra. JCS, a su elección, reparará o reemplazará este producto o cualquier componente del mismo que presente defectos durante el periodo de garantía. El reemplazo se realizará por un producto o componente nuevo o reparado. Si el producto ya no estuviera disponible, se lo reemplazará por un producto similar de valor igual o superior. Esta es su garantía exclusiva. No intente reparar o ajustar ninguna función eléctrica o mecánica de este producto. Al hacerlo eliminará esta garantía.

La garantía es válida para el comprador minorista original a partir de la fecha de compra inicial y la misma no es transferible. Conserve el recibo de compra original. Para solicitar servicio en garantía se requiere presentar un recibo de compra. Los agentes y centros de servicio de JCS o las tiendas minoristas que venden productos de JCS no tienen derecho a alterar, modificar ni cambiar de ningún otro modo los términos y las condiciones de esta garantía.

Esta garantía no cubre el desgaste normal de las piezas ni los daños que se produzcan como resultado de uso negligente o mal uso del producto, uso de voltaje incorrecto o corriente inapropiada, uso contrario a las instrucciones operativas, y desarme, reparación o alteración por parte de un tercero ajeno a JCS o a un Centro de Servicio autorizado por JCS. Asimismo, la garantía no cubre actos fortuitos tales como incendios, inundaciones, huracanes y tornados.

¿Cuál es el límite de responsabilidad de JCS?

JCS no será responsable de daños incidentales o emergentes causados por el incumplimiento de alguna garantía o condición expresa, implícita o legal.

Excepto en la medida en que lo prohíba la ley aplicable, cualquier garantía o condición implícita de comerciabilidad o aptitud para un fin determinado se limita, en cuanto a su duración, al plazo de la garantía antes mencionada.

JCS queda exenta de toda otra garantías, condiciones o manifestaciones, expresa, implícita, legal o de cualquier otra naturaleza.

JCS no será responsable de ningún tipo de daño que resulte de la compra, uso o mal uso del producto, o por la imposibilidad de usar el producto, incluidos los daños incidentales, especiales, emergentes o similares, o la pérdida de ganancias, ni de ningún incumplimiento contractual, sea de una obligación esencial o de otra naturaleza, ni de ningún reclamo iniciado contra el comprador por un tercero.

Algunas provincias, estados o jurisdicciones no permiten la exclusión o limitación de los daños incidentales o emergentes ni las limitaciones a la duración de las garantías implícitas, de modo que es posible que la exclusión o las limitaciones antes mencionadas no se apliquen en su caso.

Esta garantía le otorga derechos legales específicos y es posible que usted tenga otros derechos que varían de un estado, provincia o jurisdicción a otro.

Cómo solicitar el servicio en garantía

En los Estados Unidos

Si tiene alguna pregunta sobre esta garantía o desea recibir servicio de garantía, llame al 1 (888) 264-9669 y podrá obtener la dirección del centro de servicio que le resulte más conveniente.

En Canadá

Si tiene alguna pregunta sobre esta garantía o desea recibir servicio de garantía, llame al 1 (888) 264-9669 y podrá obtener la dirección del centro de servicio que le resulte más conveniente.

En los Estados Unidos, esta garantía es ofrecida por Sunbeam Products, Inc. operando bajo el nombre de Jarden Consumer Solutions, Boca Raton, Florida 33431. En Canadá, esta garantía es ofrecida por Sunbeam Corporation (Canada) Limited operando bajo el nombre de Jarden Consumer Solutions, 20 B Hereford Street, Brampton, Ontario L6Y 0M1. Si usted tiene otro problema o reclamo en conexión con este producto, por favor escriba al Departamento de Servicio al Consumidor. **POR FAVOR NO DEVUELVA ESTE PRODUCTO A NINGUNA DE ESTAS DIRECCIONES NI AL LUGAR DE COMPRA.**

SFH442

Heater Calentador

Sunbeam®



INSTRUCTION MANUAL

PLEASE READ AND SAVE THESE IMPORTANT INSTRUCTIONS

MANUAL DE INSTRUCCIONES

LEA Y CONSERVE ESTAS INSTRUCCIONES IMPORTANTES

TRUSTED FOR
OVER 100 YEARS

DE CONFIABILIDAD
CON MÁS
DE 100 AÑOS

Sunbeam

GO ONLINE NOW to

<http://www.sunbeam.com/SBMCLG201>

to receive a **FREE GIFT OR PROMO CODE***.

It's our "thanks" to you for being a Sunbeam® customer.

-You will also get access to special sale items & promotions on a full assortment of Sunbeam® products.

HURRY & SIGN UP TODAY!

**While supplies last; subject to availability.*

Sunbeam

INGRESE AHORA MISMO al sitio

<http://www.sunbeam.com/SBMCLG201>

para recibir un **OBSEQUIO GRATIS O UN CÓDIGO DE PROMOCIÓN***. Es nuestra manera de decirle "gracias" por ser cliente de Sunbeam®.

-También obtendrá acceso a promociones y artículos de venta especiales de una completa variedad de productos de Sunbeam®.

¡APRESÚRESE Y REGÍSTRESE HOY MISMO!

**Hasta agotar el stock; sujeto a disponibilidad*

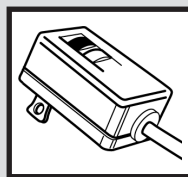
PLEASE READ AND SAVE THESE IMPORTANT SAFETY INSTRUCTIONS

When using electrical appliances, basic safety precautions should always be followed to reduce the risk of fire, electric shock, and injury to persons, including the following:

1. Read all instructions before using this heater.
2. This heater is hot when in use. To avoid burns, do not let bare skin touch hot surfaces. If provided, use handles when moving this heater. Keep combustible materials, such as furniture, pillows, bedding, papers, clothes, and curtains at least 3 feet (0.9 m) from the front of the heater and keep them away from the sides and rear.
3. Extreme caution is necessary when any heater is used by or near children or invalids and whenever the heater is left operating and unattended.
4. Always unplug heater when not in use.
5. Do not operate any heater with a damaged cord or plug or after the heater malfunctions, has been dropped or damaged in any manner. Discard heater, or return to authorized service facility for examination and/or repair.
6. Do not use outdoors.
7. This heater is not intended for use in bathrooms, laundry areas and similar indoor locations. Never locate heater where it may fall into a bathtub or other water container.
8. Do not run cord under carpeting. Do not cover cord with throw rugs, runners, or similar coverings. Do not route cord under furniture or appliances. Arrange cord away from traffic area and where it will not be tripped over.
9. To disconnect heater, turn controls to off, then remove plug from outlet.
10. Do not insert or allow foreign objects to enter any ventilation or exhaust opening as this may cause an electric shock or fire, or damage the heater.

11. To prevent a possible fire, do not block air intakes or exhaust in any manner. Do not use on soft surfaces, like a bed, where openings may become blocked.
12. A heater has hot and arcing or sparking parts inside. Do not use it in areas where gasoline, paint, or flammable liquids are used or stored.
13. Use this heater only as described in this manual. Any other use not recommended by the manufacturer may cause fire, electric shock, or injury to persons.
14. Always plug heaters directly into a wall outlet/receptacle. Never use with an extension cord or relocatable power tap (outlet/power strip).
15. When unplugging, be sure to pull by the plug and not the cord.
16. If the heater will not operate, see specific instructions on Auto Safety Shut-off.
17. DO NOT attempt to repair or adjust any electrical or mechanical functions on this unit. Doing so will void your warranty. The inside of the unit contains no user serviceable parts. All servicing should be performed by qualified personnel only.
18. Discontinue use if plug or outlet is hot. It is recommended that the outlet be replaced if plug or outlet is hot to touch.
19. The heater must not be located immediately below a socket-outlet. Do not use this heater in the immediate surroundings of a bath, a shower or a swimming pool.
20. To reduce the risk of electric shock, do not immerse, remove, modify or replace this plug and do not place your heater where it may easily fall into water.

SAVE THESE INSTRUCTIONS



ALCI (Appliance Leakage Current Interrupter) SAFETY DEVICE: This device provides protection against electric shock due to ground fault currents by automatically shutting off the power. To test the operation of the ALCI Safety Device, switch the heater ON. Press the TEST button on the ALCI device attached to the plug end of the line cord. The heater and fan should stop operating and the Power light should be extinguished. Press the RESET button on the ALCI device to resume normal operation of the heater. This device should not be used on ON/OFF operation switch. CAUTION: ALTHOUGH THIS DEVICE IS PROVIDED WITH PROTECTION WHICH REDUCES THE RISK OF ELECTRIC SHOCK, THIS PRODUCT SHOULD NEVER BE USED CARELESSLY NEAR WATER.

FEATURES - OPERATIONS

TECHNICAL SPECIFICATIONS

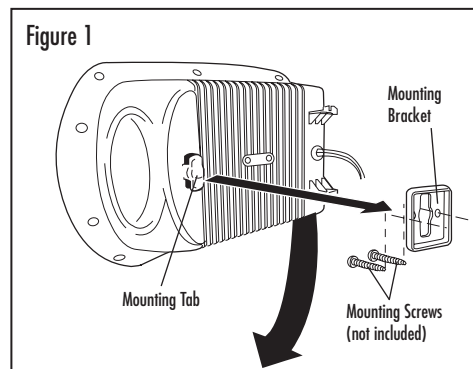
- Amps: 12.5
- Wattage: 1500W (+5% -10%)
- Working voltage: 120V AC/60Hz

WALL MOUNT INSTALLATION INSTRUCTIONS

Your heater comes fully assembled and ready for immediate use. It also comes with a Wall Mount Bracket which allows you to mount the heater on wall.

Wall Mount Installation:

1. Carefully remove your heater and the Wall Mount Bracket from the box.
2. Secure the mounting bracket to the wall as shown. (See Figure 1)



3. Turn heater sideways and position the mounting tab on the back of the heater so it lines up with the mounting bracket.
 4. Place mounting tab into the mounting bracket and rotate heater into the upright position to lock it in place.
- Please Note:** Due to the multitude of potential mounting surfaces, mounting screws are not included with this product. Please visit your local hardware store to determine which type of screw is best for your particular wall.

OPERATING INSTRUCTIONS

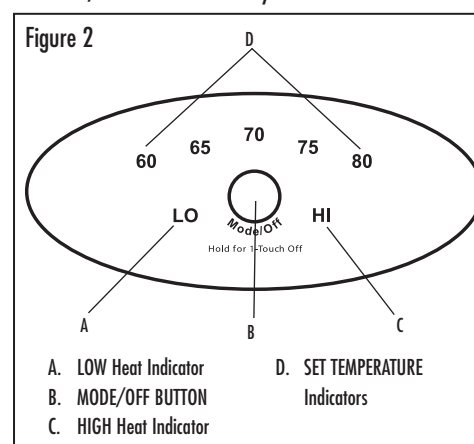
1. Carefully remove your heater from the box, please save the carton for off-season storage.
2. Place heater on firm level surface.
3. Avoid overloading your circuit by not using other high wattage appliances in the same outlet. At 1500 Watts, this unit draws 12.5 Amps.

Manual Mode Instructions:

1. Plug the heater into a 120V AC electrical outlet.
2. To start the unit, push the MODE/OFF button once for the HIGH manual setting. (See Figure 2)
3. Press the button again for the LOW manual setting. (See Figure 2)
4. To stop the unit, press and hold the button for two seconds or keep pressing the button until all the temperature indicators are OFF.

1TOUCH® THERMOSTAT INSTRUCTIONS

Your heater is equipped with a technologically advanced 1Touch® electronic thermostat. You can set the heater to run continuously in manual mode or set the 1Touch® thermostat to your desired temperature setting. The 1Touch® thermostat will automatically turn the heater ON or OFF depending on the preset comfort level. The comfort level ranges between 60° and 80° Fahrenheit. Pressing the Mode/Off Button to select your desired comfort level:



CLEANING / MAINTENANCE

1. HI - Manual HIGH

Press the Mode/Off Button once to set the heater at HI manual setting. The HI Indicator Light will illuminate. The heater will run continuously at HIGH setting.

2. LO - Manual LOW

Press the Mode/Off Button again to set the heater at LO manual setting. The LO Indicator Light will illuminate. The heater will run continuously at reduced wattage.

NOTE: To shut unit off at any time, press and hold the Mode/Off Button for 2 seconds or keep pressing the Mode/Off Button until all temperature indicators go OFF.

3. Preset Temperature Levels (60 °F - 80 °F)

Continue to press the Mode/Off Button to cycle through the Temperature Indicators (60 °F - 80 °F) until your desired temperature is set in either HI or LO setting. The selected Temperature Indicator Light will illuminate. When the ambient temperature rises above the set temperature, the heater will stop. When the ambient temperature drops below the set temperature, the heater will turn on automatically.

NOTE: There will be temperature variance measured at the internal sensor, when the ambient temperature drops below the set temperature, it may take a longer time for the internal sensor to cool down, and then re-activate the heater to turn on again. If the ambient temperature is too low, either raise the set temperature level or select HI/LO setting for constant heat.

NOTE: When the 1Touch® thermostat is set, either the HIGH Heat (HI) or LOW Heat (LO) indicator, and the SET TEMPERATURE indicator will remain lit during operation. (See Figure 2)

NOTE: It is normal for the heater to cycle ON and OFF as it maintains the set temperature. To prevent the unit from cycling, you need to raise the thermostat setting.

NOTE: 1Touch® thermostat has memory. The 1Touch® thermostat will remember the previous temperature setting after the unit has been turned off. However, if the unit is unplugged, the 1Touch® thermostat will be reset and will no longer remember the previous temperature setting.

CLEANING/MAINTENANCE

During Season Care:

1. Always unplug the heater before cleaning.
2. Clean the unit with a soft cloth moistened with a mild soap and water solution.
3. NEVER use abrasive or flammable solvents to clean the unit.
4. After cleaning, be sure to completely dry the unit with a cloth or towel.

After Season Care:

1. Store heater in a cool, dry location.
2. It is recommended that you store the unit in its original carton.

AUTO SAFETY SHUT-OFF

This heater is equipped with a patented, technologically advanced, safety system that requires the user to reset the heater if there is a potential overheat situation. When a potential overheat temperature is reached, the system will automatically shut the heater off. It can only resume operation when the user resets the unit.

To Reset the Heater :

1. Unplug the heater and wait 30 minutes for the unit to cool down.
2. After the 30 minutes, plug the unit in again and operate normally.

LEA Y CONSERVE ESTAS IMPORTANTES INSTRUCCIONES DE SEGURIDAD

Para reducir el riesgo de incendios, descargas eléctricas y lesiones personales al utilizar electrodomésticos, siga siempre las precauciones básicas de seguridad, incluyendo las que se mencionan a continuación:

1. Lea todas las instrucciones antes de usar este calentador.
2. El calentador se calienta al usarlo. Para evitar quemaduras, NO toque las superficies calientes con la piel. Si existen, utilice las manijas para mover la unidad. Mantenga los materiales combustibles, como muebles, almohadones, sábanas, papeles, ropa y cortinas a por lo menos 3 pies (0.9m) de la parte delantera del calentador y manténgalos alejados de los costados y de la parte de atrás.
3. Debe tener mucho cuidado cuando el calentador es utilizado por, o cerca de niños o inválidos, y siempre que se deje el calentador prendido y desatendido.
4. Siempre desenchufe el calentador cuando no lo utilice.
5. NO utilice el calentador si el cable o el enchufe están dañados o luego de una falla, se haya caído o haya sufrido cualquier tipo de daño. Deseche el calentador o devuélvalo al centro de servicio autorizado para su revisión y/o reparación.
6. NO utilizar en el exterior.
7. Este calentador no está diseñado para ser utilizado en baños, lavaderos y zonas similares de interiores. NUNCA coloque el calentador donde pueda caerse dentro de una bañera u otro recipiente con agua.
8. No coloque el cable debajo de la alfombra. No cubra el cable con alfombras, tapetes o artículos similares. No pase el cable por debajo de muebles o electrodomésticos. Coloque el cable lejos del área de tráfico y donde no se tropiece con él.
9. Para desconectarlo, gire el control a la posición OFF, luego quite el enchufe del tomacorriente.
10. NO inserte o permita que ningún objeto extraño entre por las rejillas de ventilación o de salida ya que

pueden ocasionar una descarga eléctrica o incendio, o dañar el calentador.

11. Para prevenir la posibilidad de incendio, NUNCA pase la entrada o salida de aire. NO lo utilice sobre superficies blandas, como una cama, donde se pueden obstruir las aberturas.
12. Un calentador tiene partes calientes y que pueden producir chispas en su interior. NO lo utilice en áreas donde se utiliza o se guarda gasolina, pintura o líquidos inflamables.
13. Utilice este calentador sólo como se describe en este manual. Cualquier otro uso no recomendado por el fabricante puede provocar incendios, descargas eléctricas o lesiones a personas.
14. Siempre conecte el calentador directamente a un tomacorriente de pared. Nunca lo use con un cable de extensión o con un tomacorriente múltiple.
15. Al desenchufarlo, asegúrese de tirar del enchufe y no del cable.
16. Si el calentador no funciona, vea las instrucciones específicas del apagado automático de seguridad.
17. NO intente reparar o ajustar ninguna función eléctrica o mecánica de esta unidad. El hacerlo invalidará la garantía. La unidad no contiene partes reparables por el usuario. Toda reparación debe ser realizada únicamente por personal calificado.
18. Deje de usarlo si el cable o el enchufe se calienta. Se recomienda que reemplace el tomacorriente si el enchufe o el tomacorriente se calienta.
19. El calentador no se debe localizar inmediatamente debajo de un tomacorriente. No use este calentador en áreas cercanas a un baño, una ducha o una piscina.
20. Para reducir el riesgo de choque eléctrico, no sumerja, quite, modifique o sustituya el enchufe y no coloque el calentador en donde pueda caerse fácilmente en el agua.

CARACTERÍSTICAS Y FUNCIONAMIENTO

CONSERVE ESTAS INSTRUCCIONES

ESPECIFICACIONES TECNICAS

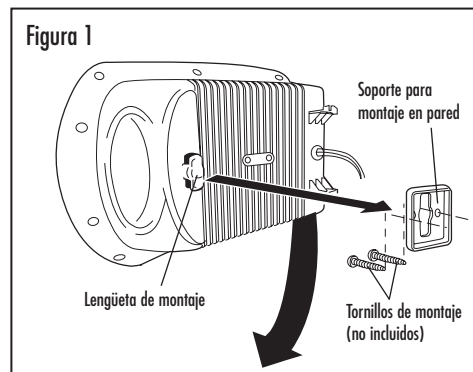
- Amperes: 12,5
- Potencia: 1500 W (+5% -10%)
- Voltaje de funcionamiento: 120v CA/60Hz

INSTRUCCIONES PARA INSTALARLO EN LA PARED

El calentador viene completamente ensamblado y listo para el uso inmediato. También viene con un soporte para montaje en pared que le permite colocar el calentador en la pared.

Instalación del soporte para montaje en pared:

1. Abra la caja y saque el calentador y el soporte para montaje en pared con cuidado.
2. Asegure la consola bien en la pared tal como se muestra. (Véase Figura 1)



3. Coloque el calentador de costado y ubique la pestaña de montaje en la parte trasera del mismo, de modo que quede alineada con el soporte de montaje.
4. Coloque la pestaña de montaje dentro del soporte correspondiente y gire el calentador hasta que quede derecho y se fije en su lugar.

Por favor: tenga en cuenta que debido a la gran variedad de posibles superficies de instalación, no se

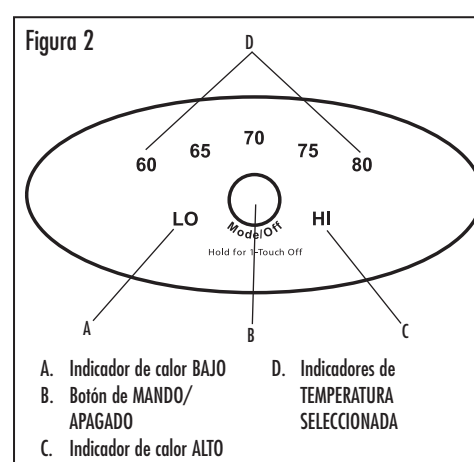
incluyen los tornillos para instalarlo. Por favor, vaya a la ferretería local para determinar qué tipo de tornillos es el mejor para su pared en particular.

INSTRUCCIONES DE USO

1. Saque cuidadosamente el calentador de la caja. Conserve la caja para guardarlo en el verano.
2. Coloque el calentador en una superficie firme y nivelada.
3. Evite sobrecargar el circuito eléctrico evitando utilizar otro artefacto de alta potencia en el mismo tomacorriente. A 1500 Vatios, esta unidad consume 12,5 Amperes.

Instrucciones del modo manual:

1. Enchufe el calentador en un tomacorriente de 120V CA.
2. Para encender la unidad, presione el botón de MANDO / APAGADO una vez para seleccionar calor ALTO manual. (Ver Figura 2)
3. Presione nuevamente el botón para seleccionar calor BAJO manual. (Ver Figura 2)
4. Para apagar la unidad, mantenga presionado el botón por dos segundos, o manténgalo presionado hasta que todos los indicadores se apaguen.



INSTRUCCIONES DEL THERMOSTATO 1TOUCH®

Su calentador cuenta con un avanzado termostato electrónico 1Touch®. Usted puede ajustar el calentador para que funcione constantemente en modo manual o puede ajustar el termostato 1Touch® al nivel de temperatura deseado. El termostato 1Touch® encenderá y apagará automáticamente el calentador dependiendo del nivel de temperatura previamente ajustado. El nivel de temperatura confortable se encuentra entre 60° y 80° Fahrenheit. Para seleccionar el nivel de comodidad deseado, pulse el botón de modo/apagado:

1. HI - ALTO manual

Para configurar el calentador en el nivel HI manual, pulse el botón de modo/apagado una vez. El indicador luminoso HI se encenderá. El calentador funcionará continuamente en la configuración ALTO.

2. LO - BAJO manual

Para configurar el calentador en el nivel LO manual, pulse el botón de modo/apagado nuevamente. El indicador luminoso LO se encenderá. El calentador funcionará continuamente en un voltaje reducido.

NOTE: Para apagar la unidad en cualquier momento, pulse el botón de modo/apagado durante 2 segundos o manténgalo presionado hasta que todos los indicadores de temperatura se APAGUEN.

3. Predetermine los niveles de temperatura (60 °F a 80 °F)

Continúe presionando el botón de modo/apagado para alternar entre los indicadores de temperatura [60 °F a 80 °F] hasta establecer la temperatura deseada en HI o LO. El indicador luminoso de la temperatura establecida se encenderá. Cuando la temperatura ambiente supere la temperatura establecida, el calentador se apagará. Cuando la temperatura ambiente disminuya por debajo de la temperatura establecida, el calentador se encenderá automáticamente.

NOTE: Existirá variación de temperatura, que se mide en el sensor interno, cuando la temperatura ambiente desciende por debajo de la temperatura establecida. Es posible que el sensor interno tarde más en enfriar y, luego, reactivar el calentador para que vuelva a encender. Si la temperatura ambiente es demasiado baja,

LIMPIEZA / MANTENIMIENTO

INSTRUCCIONES DEL THERMOSTATO 1TOUCH®

Su calentador cuenta con un avanzado termostato electrónico 1Touch®. Usted puede ajustar el calentador para que funcione constantemente en modo manual o puede ajustar el termostato 1Touch® al nivel de temperatura deseado. El termostato 1Touch® encenderá y apagará automáticamente el calentador dependiendo del nivel de temperatura previamente ajustado. El nivel de temperatura confortable se encuentra entre 60° y 80° Fahrenheit. Para seleccionar el nivel de comodidad deseado, pulse el botón de modo/apagado:

1. HI - ALTO manual

Para configurar el calentador en el nivel HI manual, pulse el botón de modo/apagado una vez. El indicador luminoso HI se encenderá. El calentador funcionará continuamente en la configuración ALTO.

2. LO - BAJO manual

Para configurar el calentador en el nivel LO manual, pulse el botón de modo/apagado nuevamente. El indicador luminoso LO se encenderá. El calentador funcionará continuamente en un voltaje reducido.

NOTE: Para apagar la unidad en cualquier momento, pulse el botón de modo/apagado durante 2 segundos o manténgalo presionado hasta que todos los indicadores de temperatura se APAGUEN.

3. Predetermine los niveles de temperatura (60 °F a 80 °F)

Continúe presionando el botón de modo/apagado para alternar entre los indicadores de temperatura [60 °F a 80 °F] hasta establecer la temperatura deseada en HI o LO. El indicador luminoso de la temperatura establecida se encenderá. Cuando la temperatura ambiente supere la temperatura establecida, el calentador se apagará. Cuando la temperatura ambiente disminuya por debajo de la temperatura establecida, el calentador se encenderá automáticamente.

NOTE: Existirá variación de temperatura, que se mide en el sensor interno, cuando la temperatura ambiente desciende por debajo de la temperatura establecida. Es posible que el sensor interno tarde más en enfriar y, luego, reactivar el calentador para que vuelva a encender. Si la temperatura ambiente es demasiado baja,

eleve el nivel de temperatura establecida o seleccione la configuración HI/LO para que el calor sea constante.

NOTE: Cuando el termostato 1Touch® está programado en la luz de potencia ALTA o BAJA, la luz de la temperatura programada continuará prendida durante su funcionamiento (Ver Figura 2).

NOTE: Es normal que el calentador vaya del ciclo ON a OFF para mantener la temperatura programada. Para que la unidad no pase de ciclos, debe programar la temperatura del termostato a un nivel más alto.

NOTE: 1Touch® tiene memoria. El termostato de 1Touch® recordará las temperaturas previas después de haber apagado la unidad. Sin embargo, si se desenchufa la unidad, no recordará las programaciones de las temperaturas anteriores.

LIMPIEZA / MANTENIMIENTO

Durante la temporada:

1. Siempre desenchufe el calentador antes de limpiarlo.
2. Limpie la unidad con un paño suave humedecido en una solución suave de agua y jabón.
3. NUNCA utilice solventes abrasivos o inflamables para limpiar la unidad.
4. Luego de limpiarla, asegúrese de secar completamente la unidad con un trapo o toalla.

Después de la temporada:

1. Guarde el calentador en un lugar frío y seco.
2. Se recomienda guardar la unidad en su embalaje original.

APAGADO AUTOMÁTICO DE SEGURIDAD

Este calentador está equipado con un sistema de seguridad patentado, de tecnología avanzada que requiere que el usuario reinicie el calentador en caso de un sobrecalentamiento potencial. Cuando se alcanza una temperatura de un posible recalentamiento, el sistema apagará automáticamente el calentador. Volverá a funcionar únicamente cuando el usuario prenda de nuevo la unidad.

Para volver a prender el calentador:

1. Desenchufe el calentador y espere 30 minutos para que se enfríe.
2. Después de 30 minutos, enchufe nuevamente la unidad y póngala en funcionamiento como es habitual.